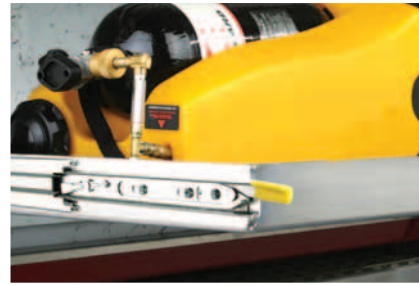


## DZ9308

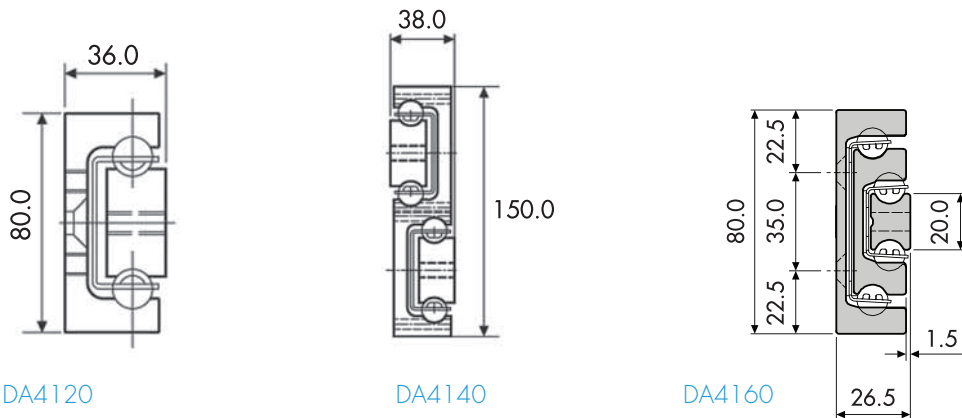
- Front lever lock release for lock-in and lock-out



Models with the locking feature are well suited for applications such as emergency vehicle equipment drawers, storage trays or racks and utility vehicle drawers, equipment platforms or battery tray pull-outs.

## DA4100 series aluminium range

The 4100 series of telescopic slides deliver a huge 300 - 400kg load rating with part and full extension options in light weight, corrosion resistant aluminium with stainless steel ball retainers and ball bearings.



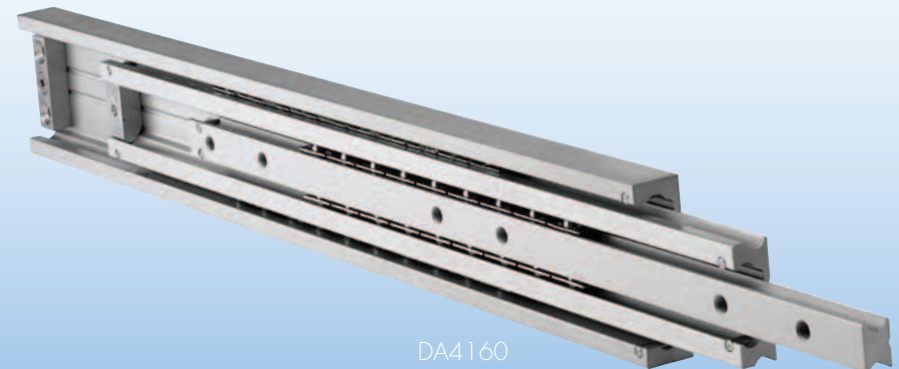
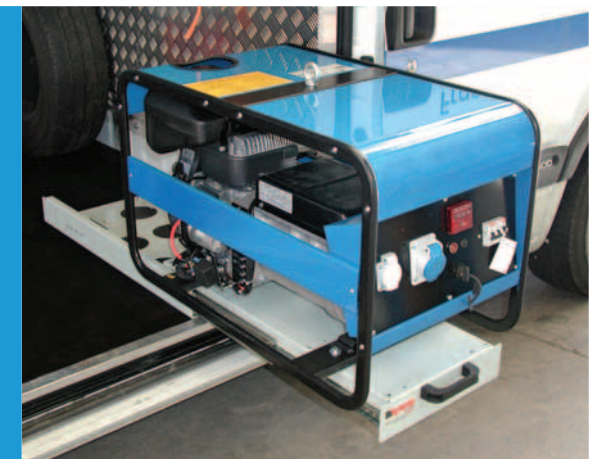
DA4120

DA4140

DA4160

## Heavy duty slide options

Accuride's heavy duty slides are designed to deliver sustained and reliable performance at high load weights. We offer a wide range of off-the-shelf heavy duty slides with a range of different features to provide sophisticated solutions to all kinds of movement and access applications.



DA4160

## Heavy duty slide options

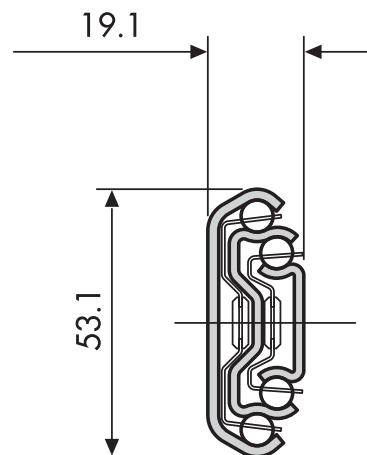
These telescopic slides offer various features and materials to enhance a wide range of woodworking and industrial applications. All these slides are held in stock for fast delivery.

Model	Max Load	Cycles	Travel	Features	Options
DZ5321	150kg 170kg	80,000 10,000	100%+	Hold-in	Brackets
DS5321	160kg	80,000	100%+	Stainless Steel	
DZ7957	160kg	80,000	100%	Disconnect. Drawers up to 1m wide	Flat mounting Brackets
DZ9301	227kg	10,000	100%	Lengths up to 1500mm	Flat mounting Brackets
DZ9308	227kg	10,000	100%	Lock-in and out	Brackets
DA4160	300kg	10,000	100%	Aluminium	
DA4120	400kg	10,000	75%	Aluminium	Flat mounting
DA4140	400kg	10,000	100%	Aluminium	

### DZ5321

This is a versatile slide with over-extension and hold-in, available in lengths up to 1100mm.

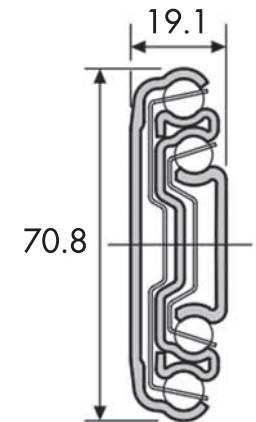
- Load rating up to 150kg (80,000 cycles)
- Load rating up to 170kg (10,000 cycles)
- 100%+ extension
- Hold-in
- Stocked in 12 lengths, 300mm - 1100mm
- Optional bracket accessory kits for various mounting options (DZ635xx)
- DS5321 stainless steel version up to 800mm long, with a load rating up to 160kg



### DZ7957 for wide drawers

The 7957 is a heavy duty slide with a front disconnect; being able to separate the slide members makes installation easy. This is an important consideration when installing slides into wide drawers.

- Load rating up to 160kg (side mounted 80,000 cycles)
- Suitable for drawers up to 1000mm wide
- 100% extension
- Disconnect
- Stocked in 13 lengths, 304.8mm - 914.4mm
- Optional bracket accessory kits for various mounting options (DZ634xx)



### DZ9301 / DZ9308

The 9301 and 9308 models have been designed specifically for heavy duty applications. Both slides are available in lengths from 300mm to 1500mm and as a single slide for mix and match versatility. The 9301 also comes in a 254mm length.

Load ratings vary depending on the application and drawer width, but typically the following loads apply:

- Moderate use up to 227kg (10,000 cycles)
- Frequent use up to 182kg (75,000 cycles)
- Mobile use up to 136kg (10,000 cycles)
- Flat mount up to 68kg (10,000 cycles)
- 100% extension
- Slides sold singly
- Optional bracket accessory kits for various mounting options (DZ634xx)

